

FIG.1 (PRIOR ART)

FIG.1A

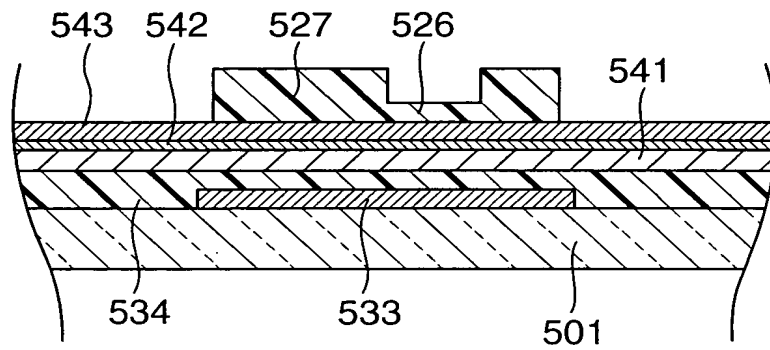


FIG.1B

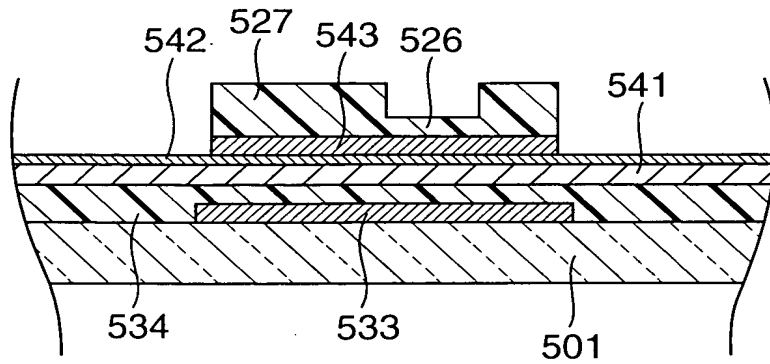


FIG.2 (PRIOR ART)

FIG.2A

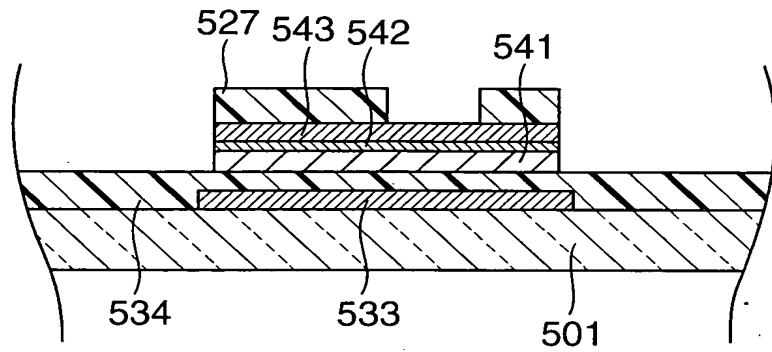
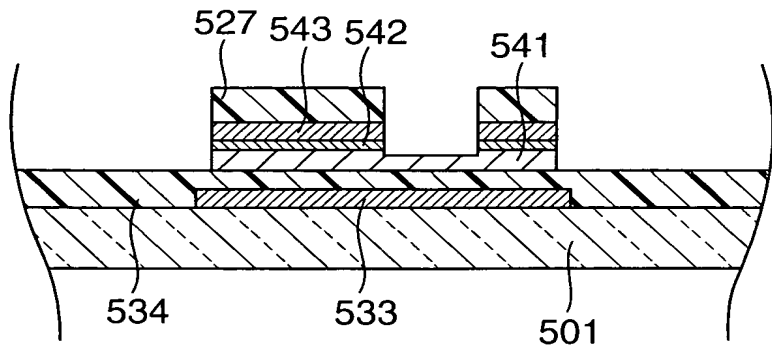


FIG.2B



205220" 84848001

### FIG.3 (PRIOR ART)

FIG.3A

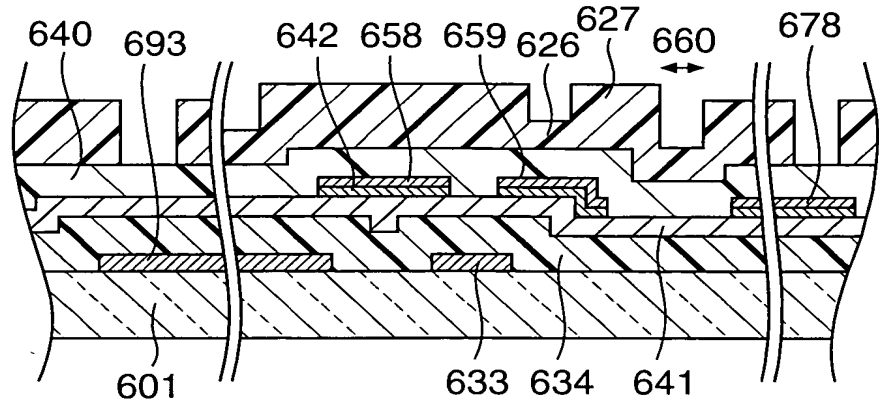


FIG.3B

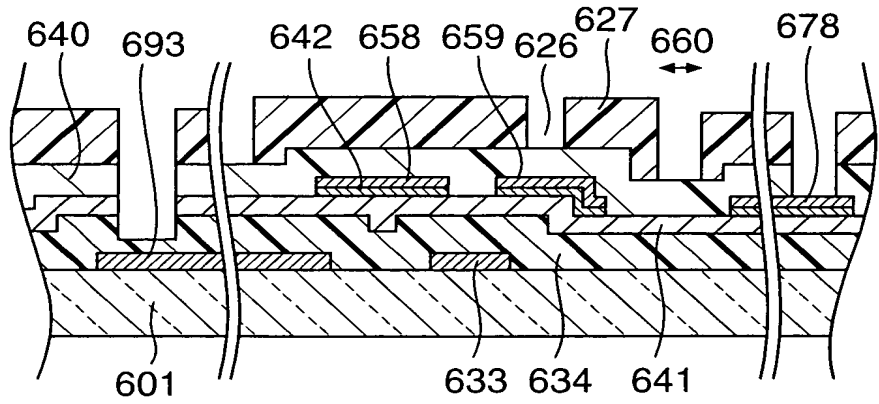
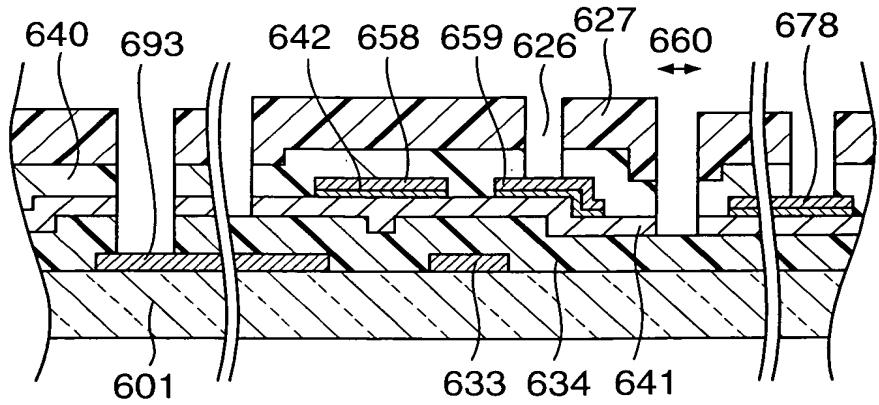
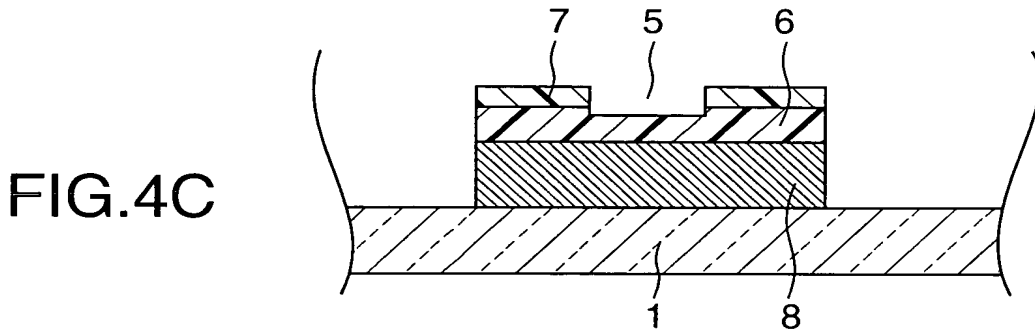
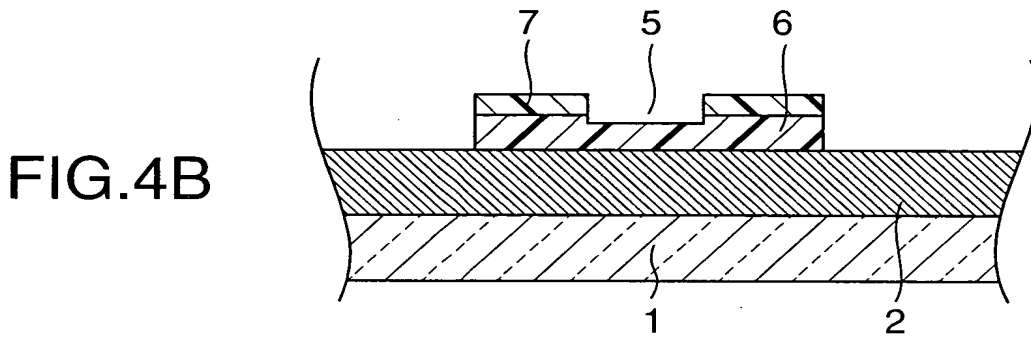
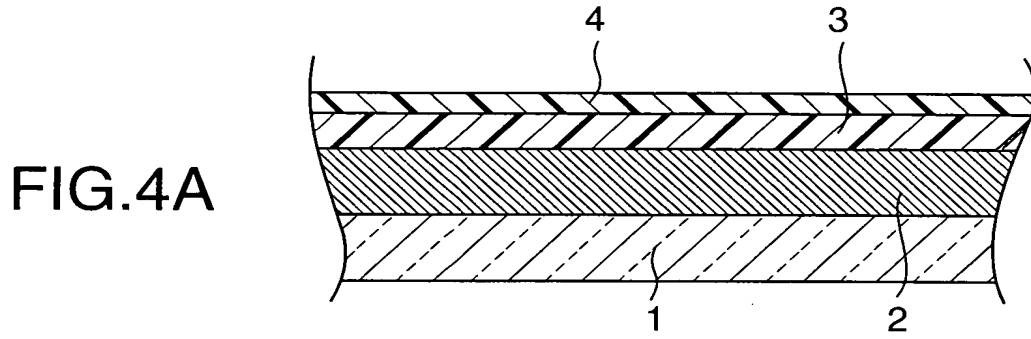


FIG.3C





205220" B4B4B00F

FIG.5A

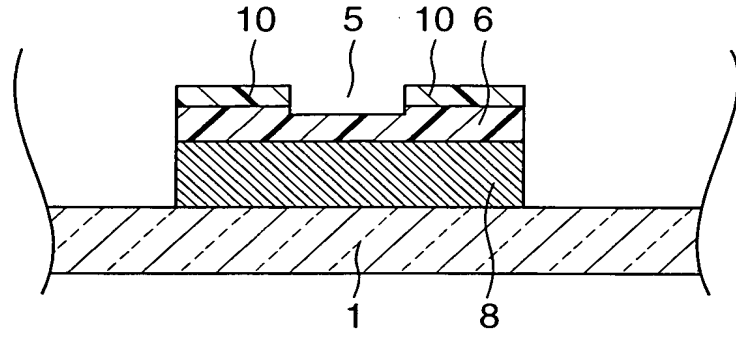


FIG.5B

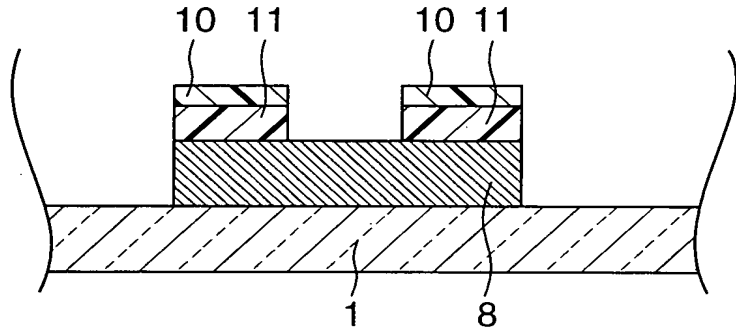
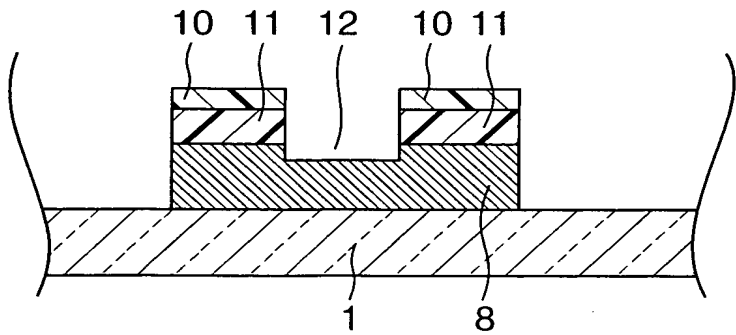


FIG.5C



10034848 022502

FIG.6A

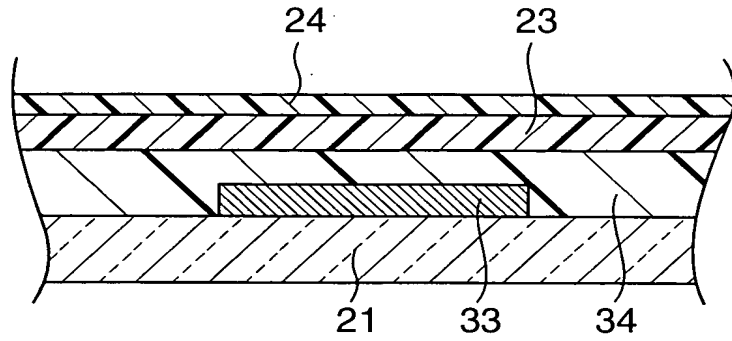


FIG.6B

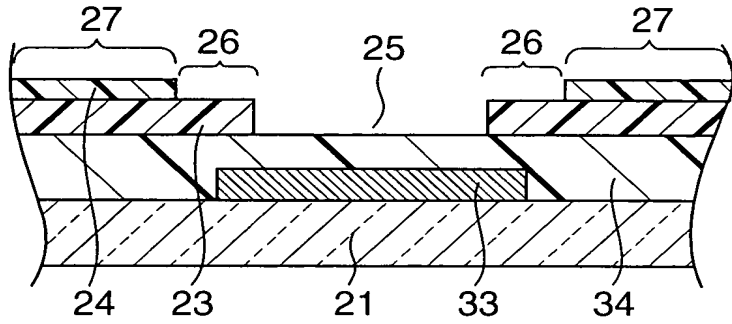
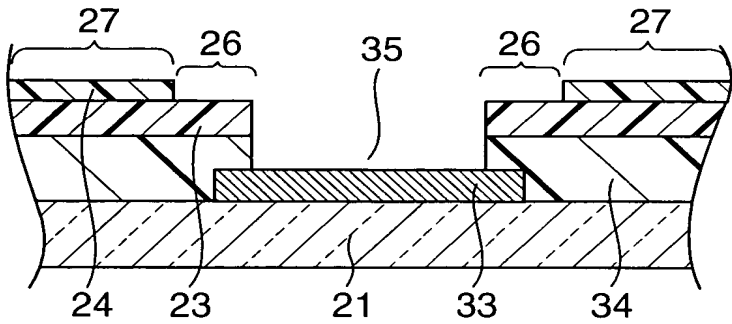


FIG.6C



2025201848001

FIG.7A

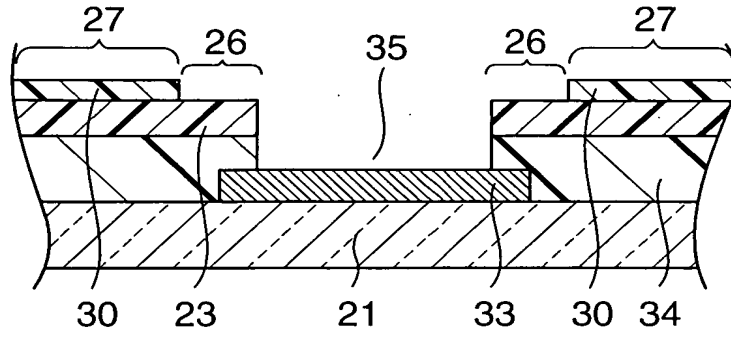
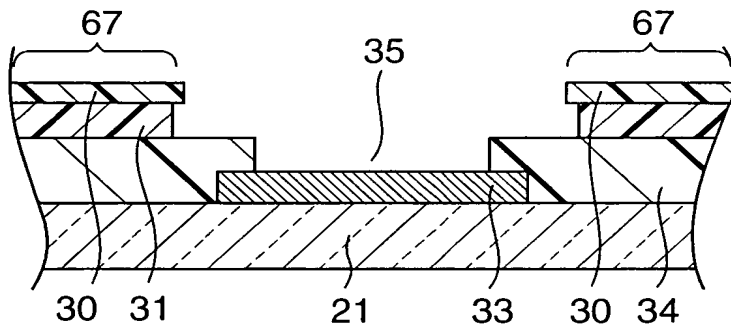


FIG.7B



205220" 8434300F

205220-8484807

FIG.8A

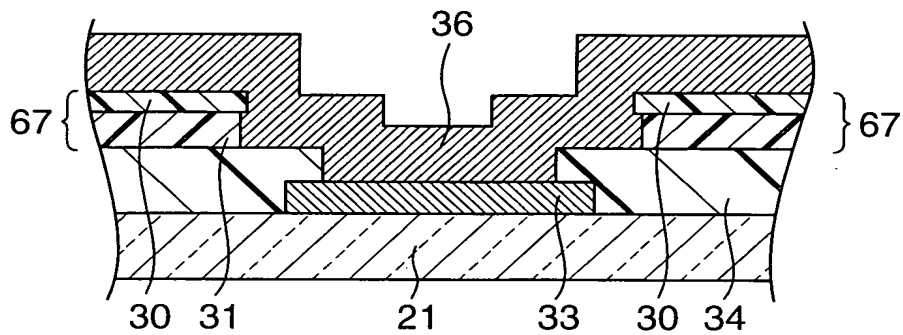


FIG.8B

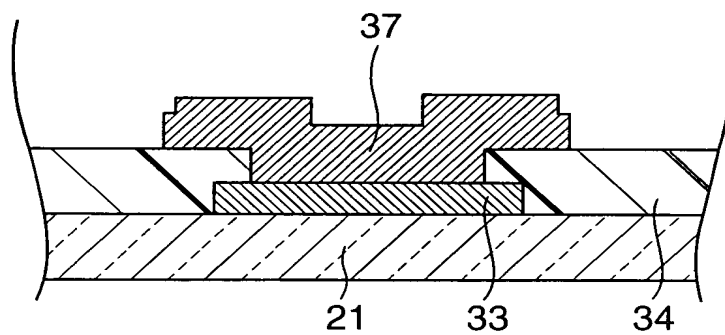




FIG. 9A

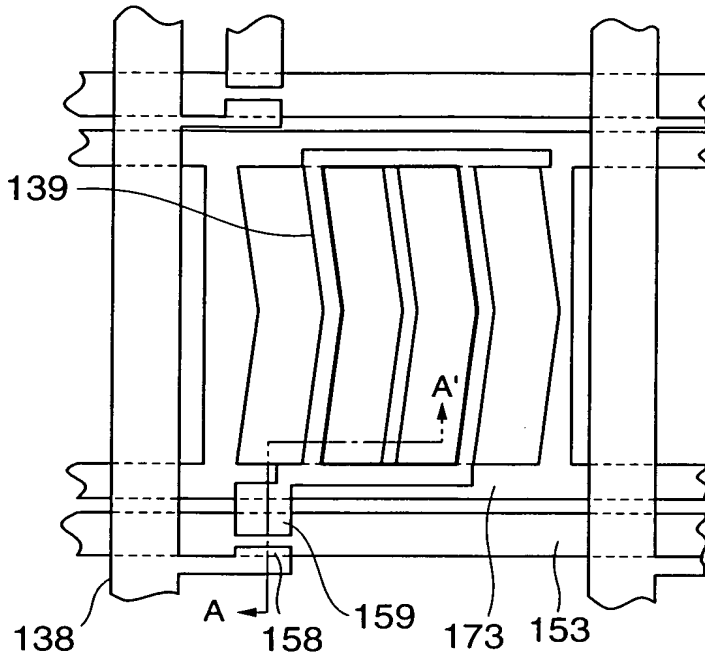
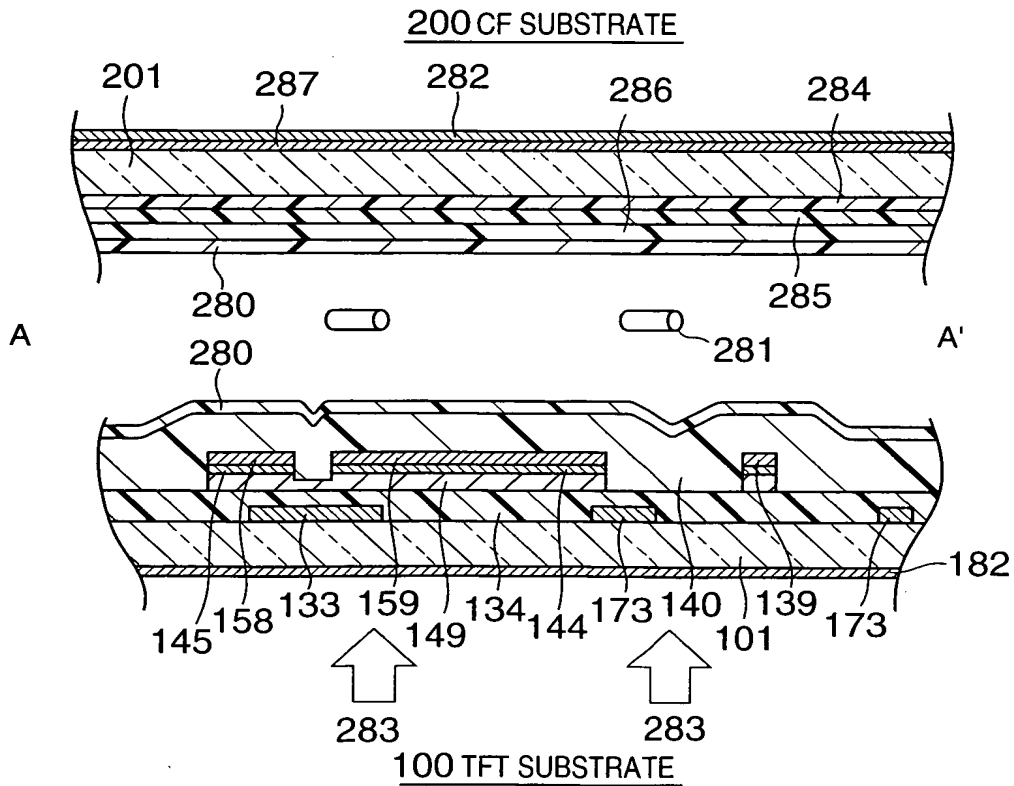


FIG. 9B



2025220-24848001

FIG. 10A

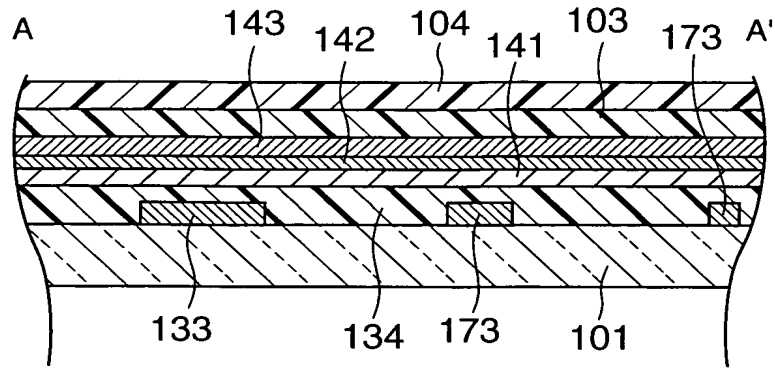


FIG. 10B

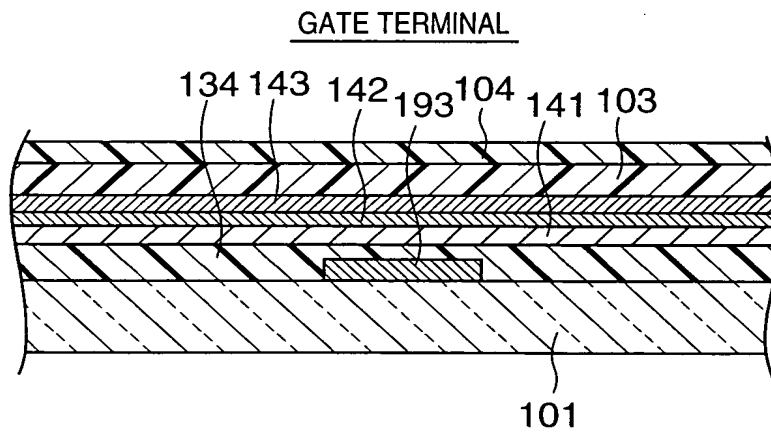
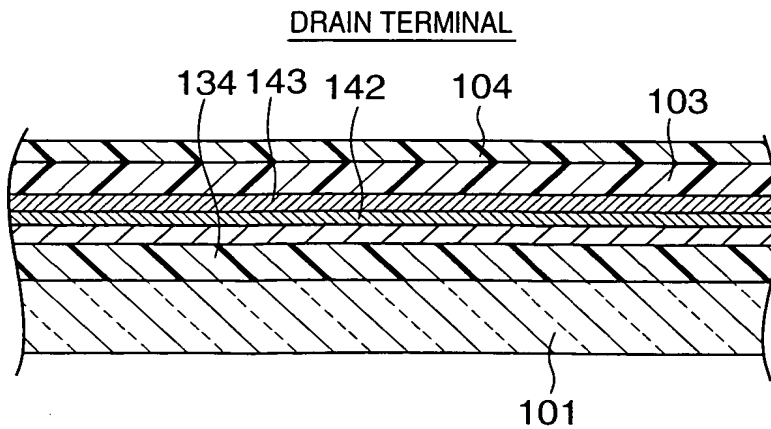


FIG. 10C



205220-8484001

FIG. 11A

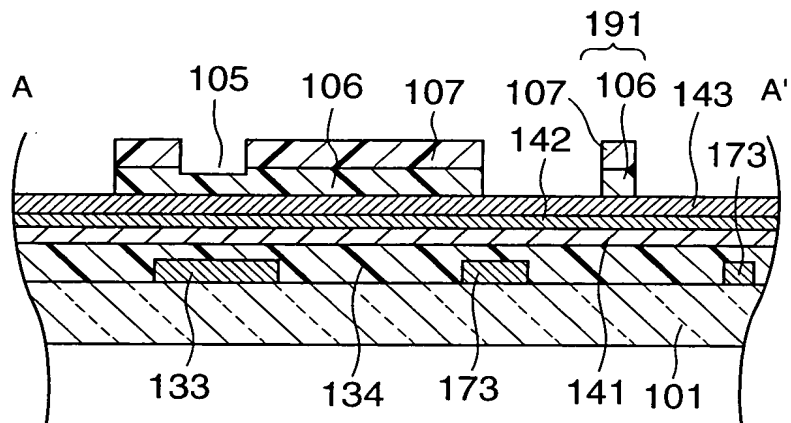


FIG. 11B

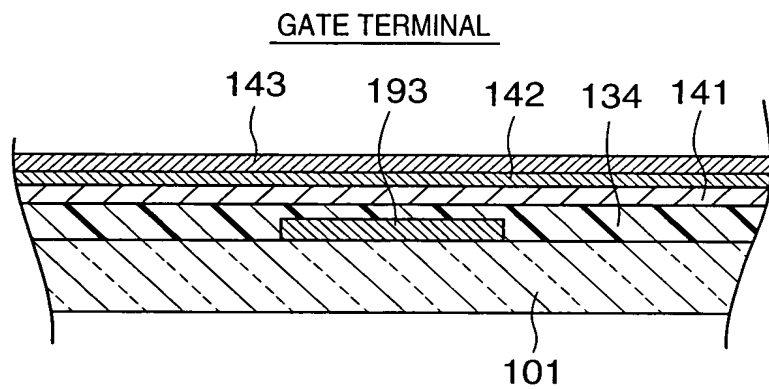
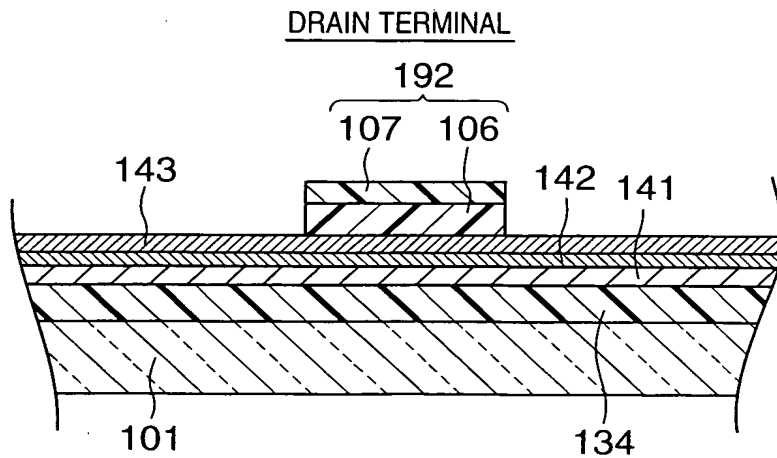


FIG. 11C



205220" 8484800T

FIG. 12A

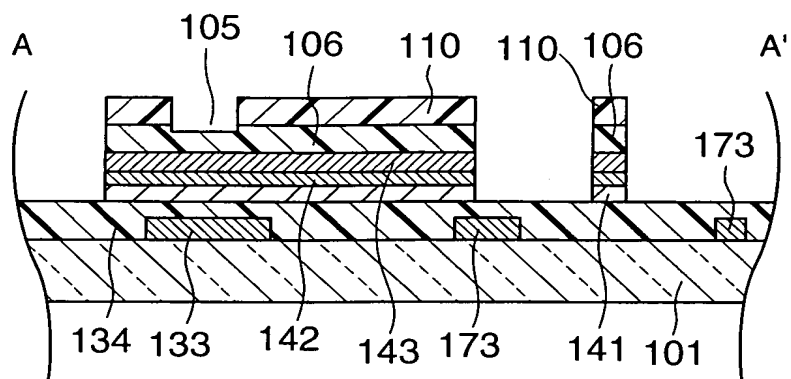


FIG. 12B

GATE TERMINAL

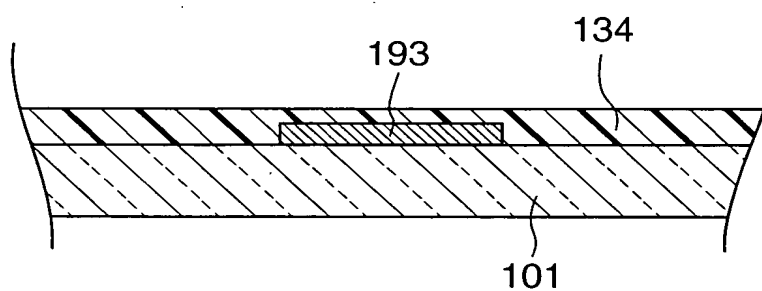


FIG. 12C

DRAIN TERMINAL

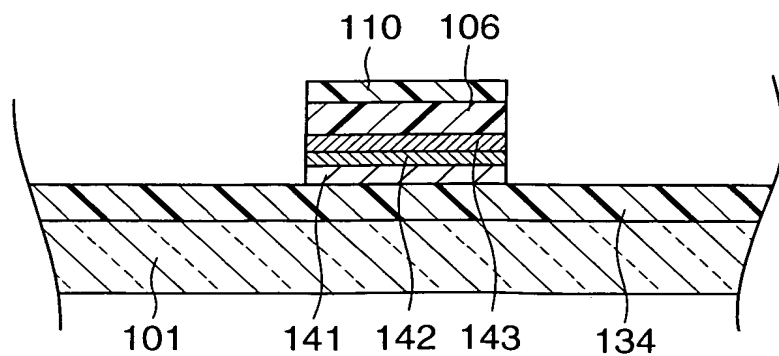


FIG. 13A

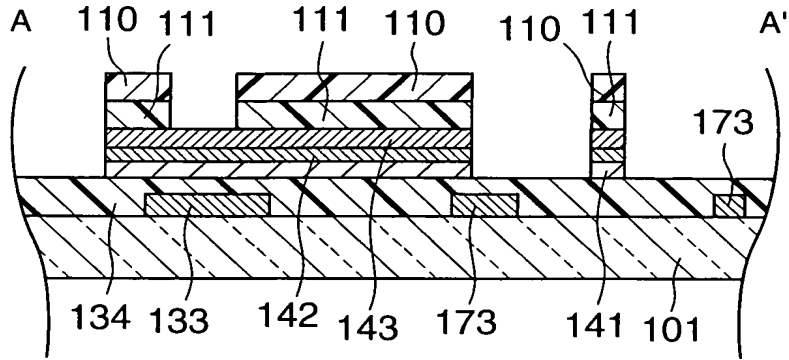


FIG. 13B

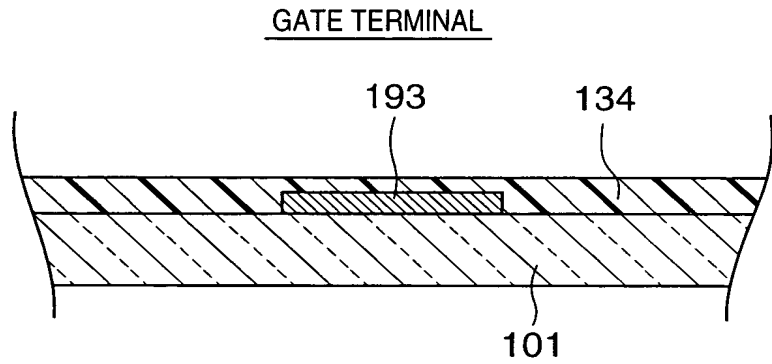
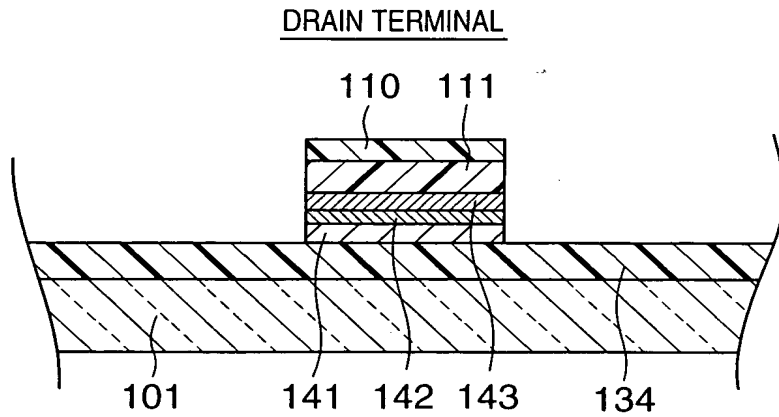


FIG. 13C



205220 " 84848007

FIG. 14A

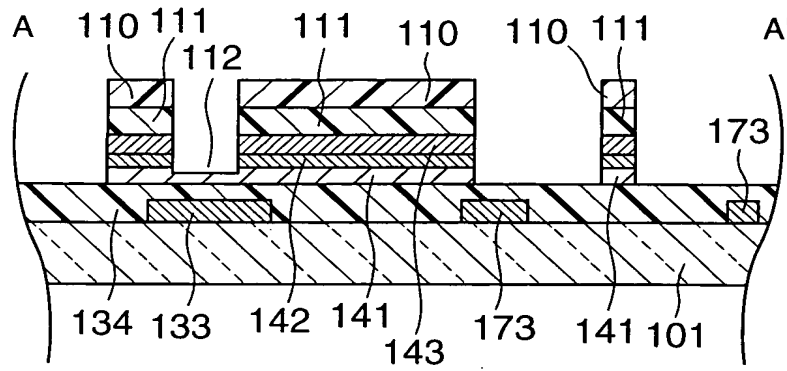


FIG. 14B

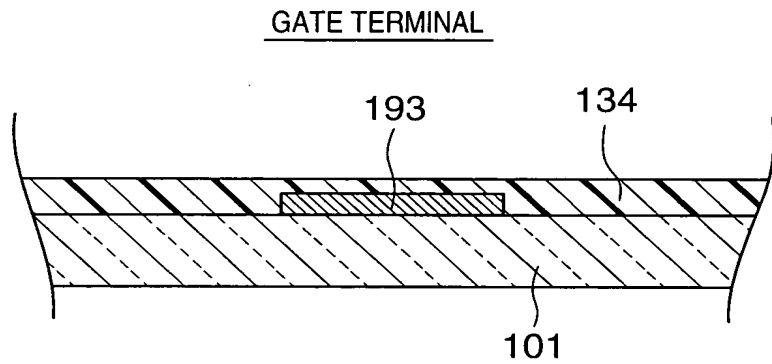
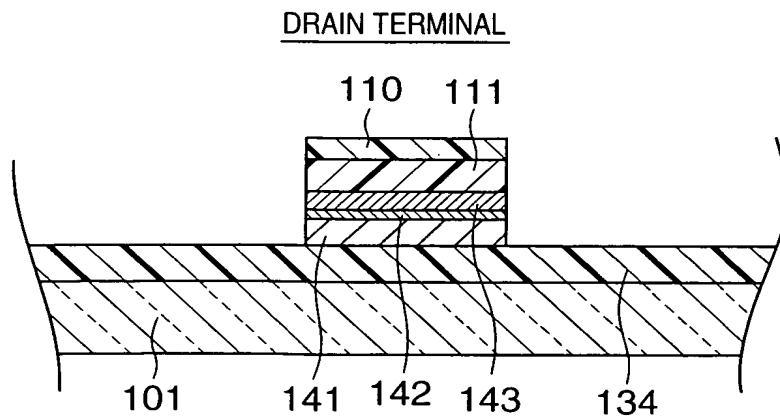


FIG. 14C



20220818007

FIG. 15A

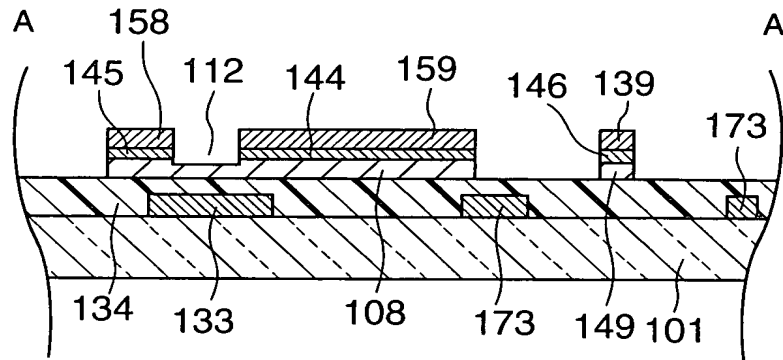


FIG. 15B

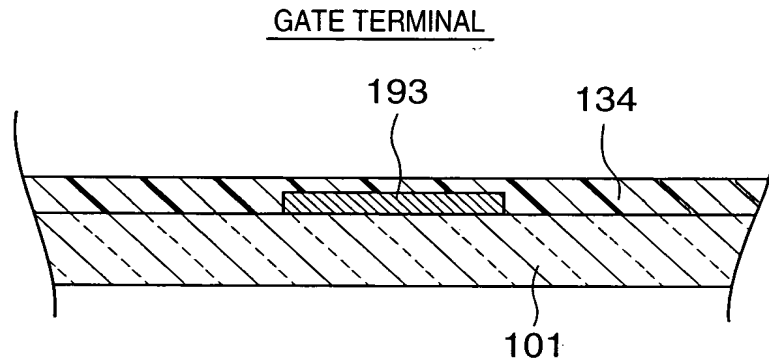
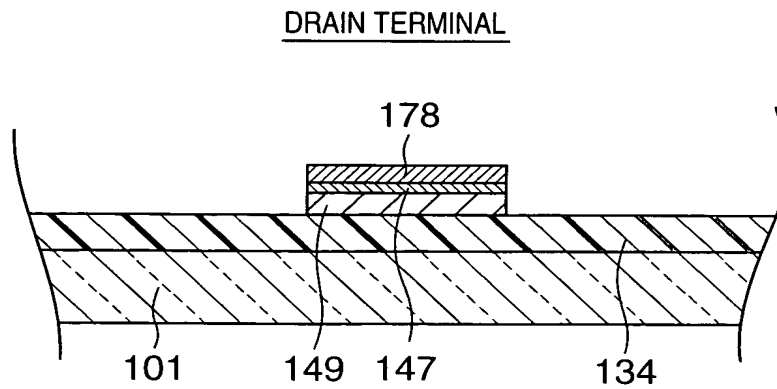


FIG. 15C



205220 " B-H-B00T

FIG.16A

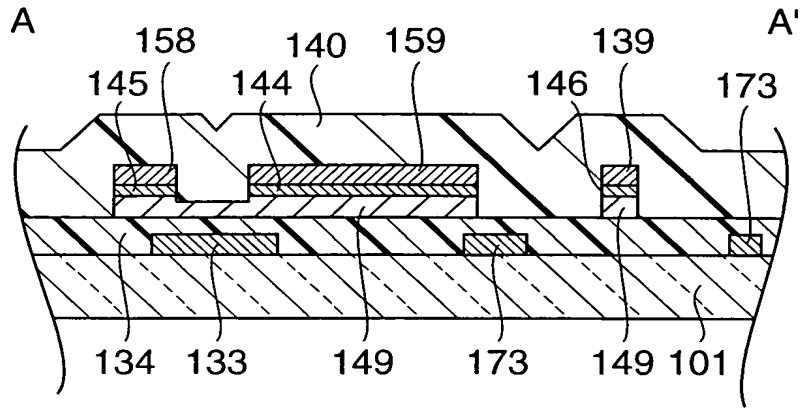


FIG.16B

GATE TERMINAL

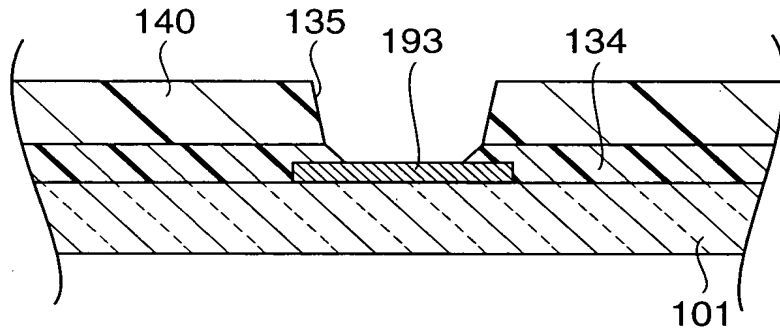
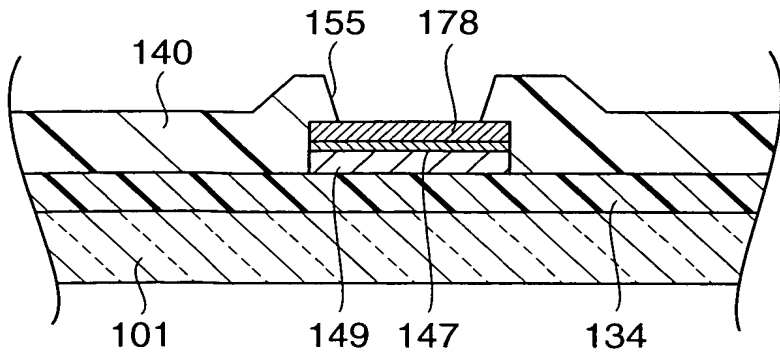


FIG.16C

DRAIN TERMINAL



205220-81818001



FIG.17A

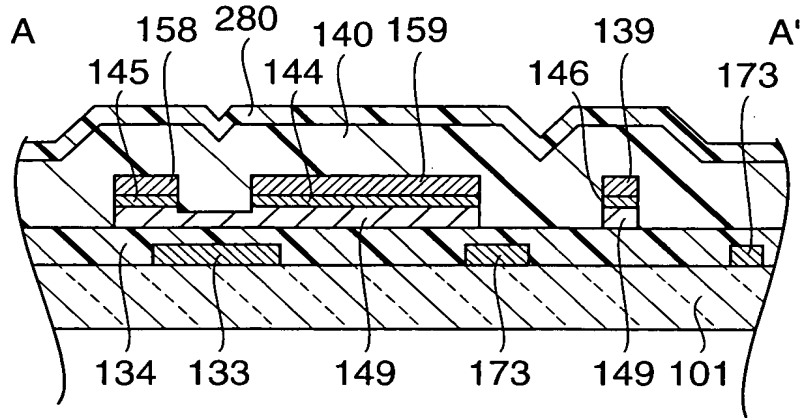


FIG.17B

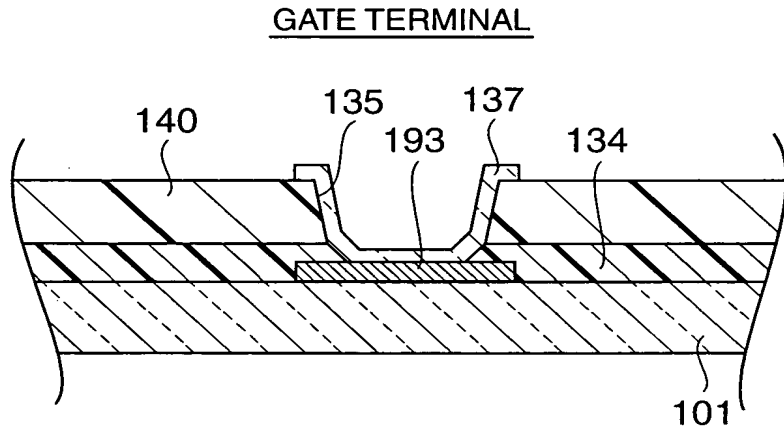
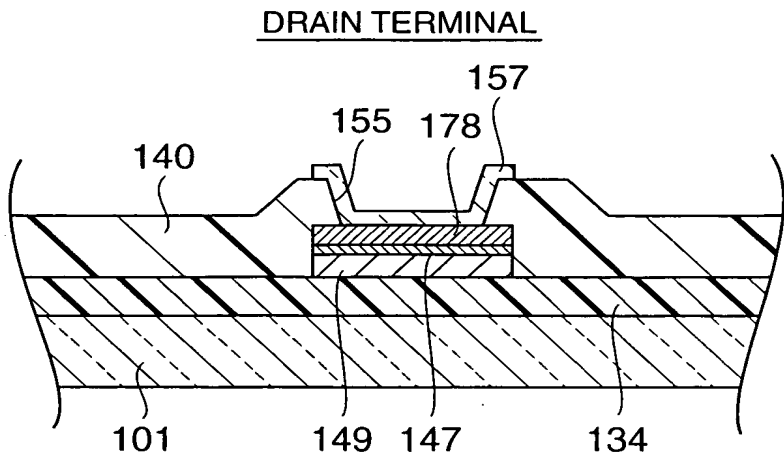


FIG.17C



205220" 84848007

FIG.18A

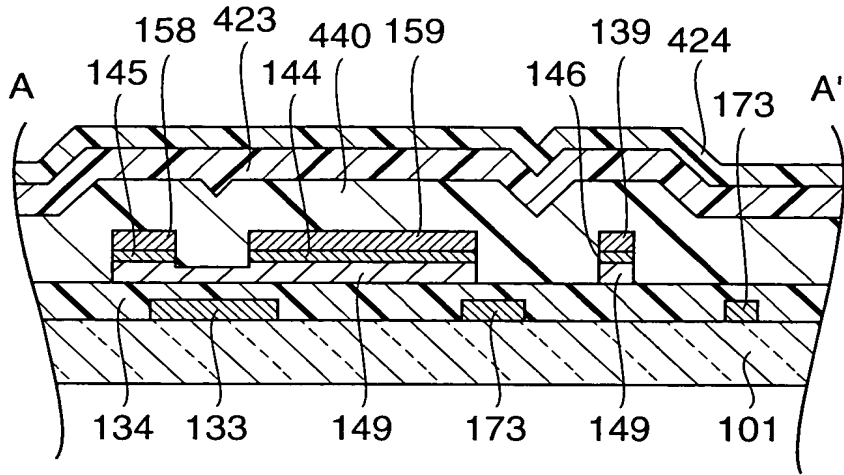


FIG.18B

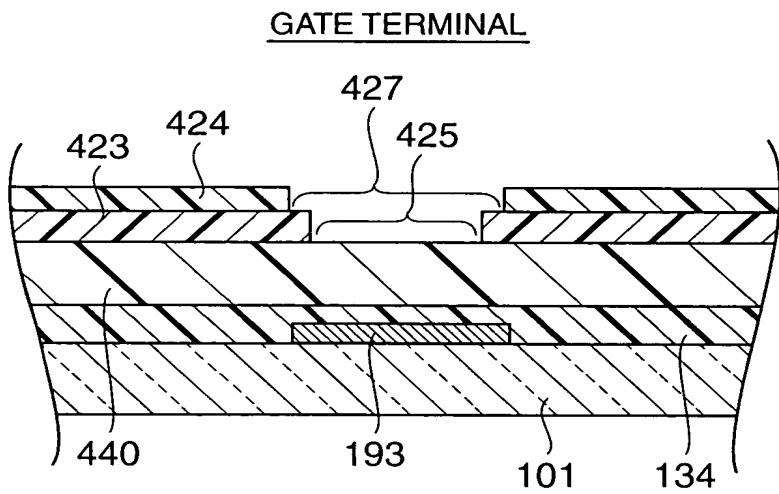
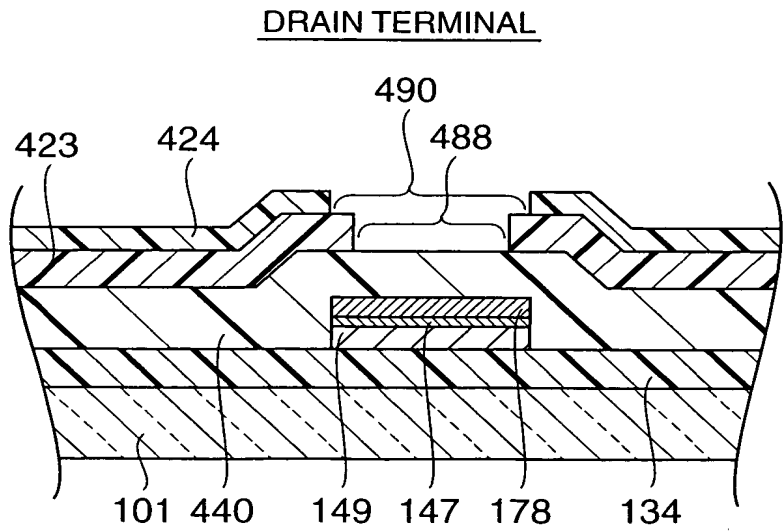


FIG.18C



205220-8484800F

FIG.19A

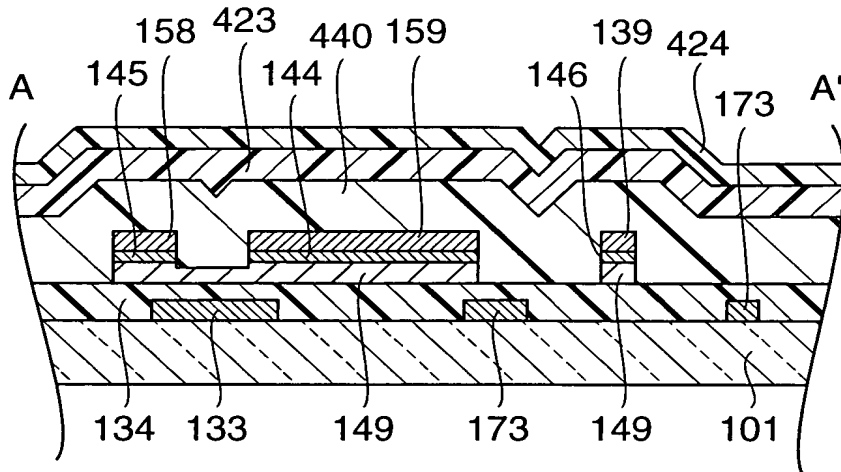


FIG.19B

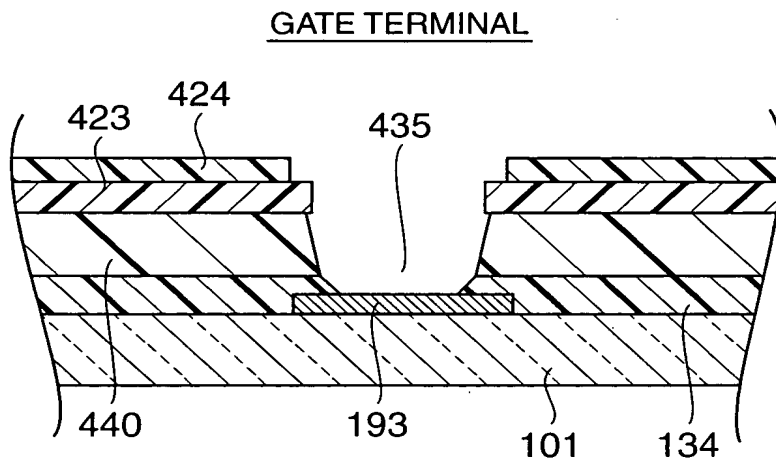
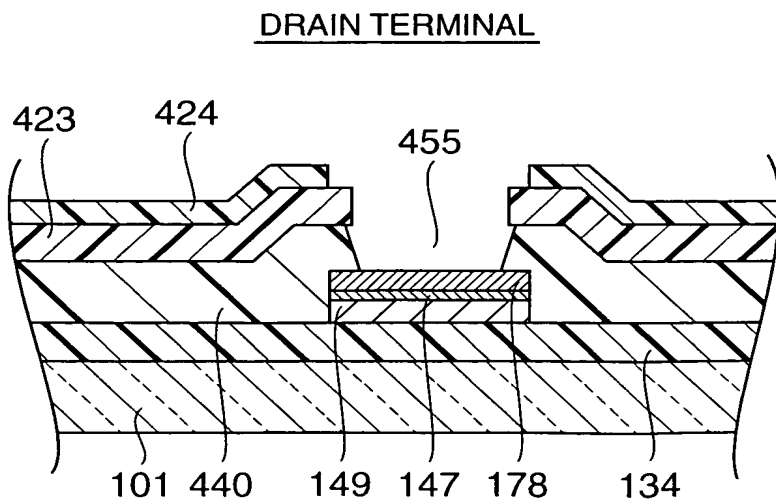


FIG.19C



205220-8484800T

FIG.20A

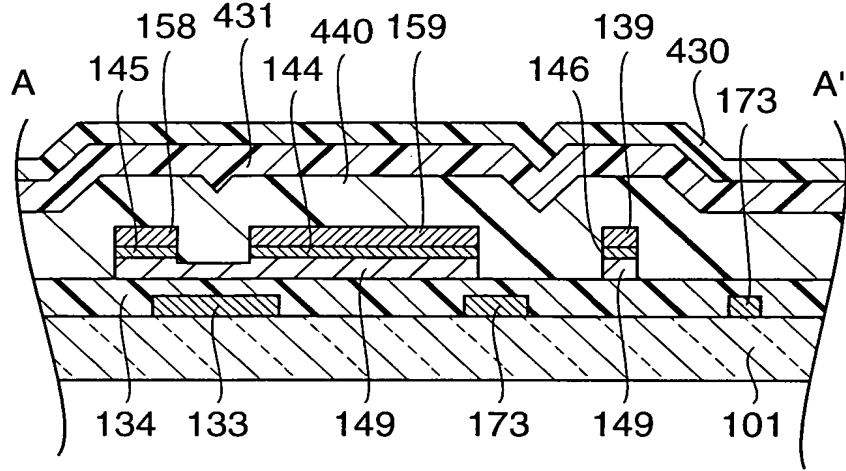


FIG.20B

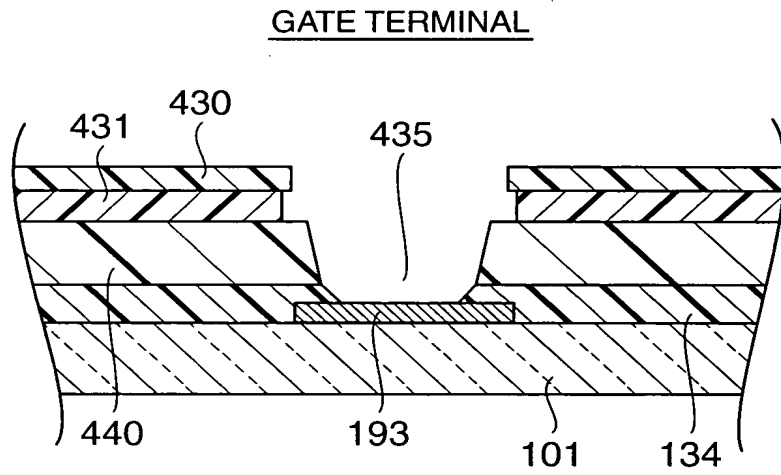
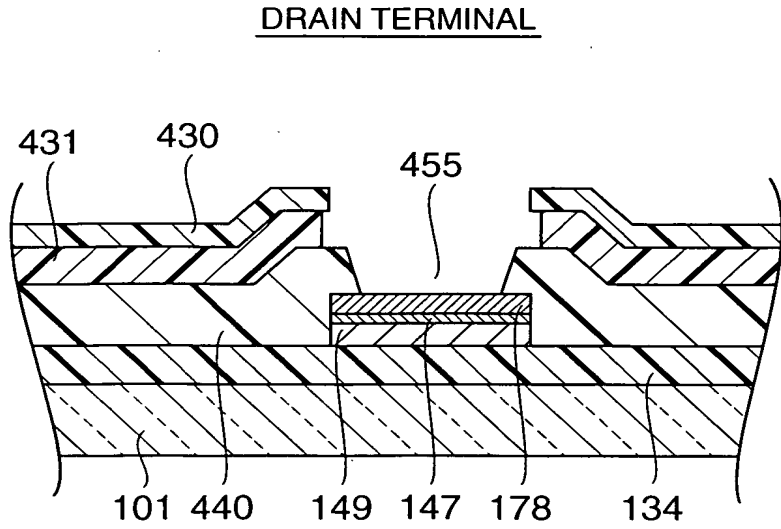


FIG.20C



205220-8181800F

FIG.21A

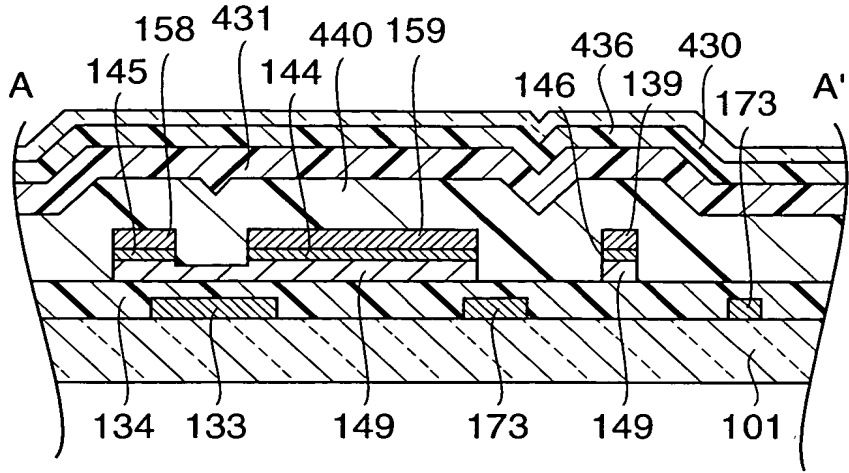


FIG.21B

GATE TERMINAL

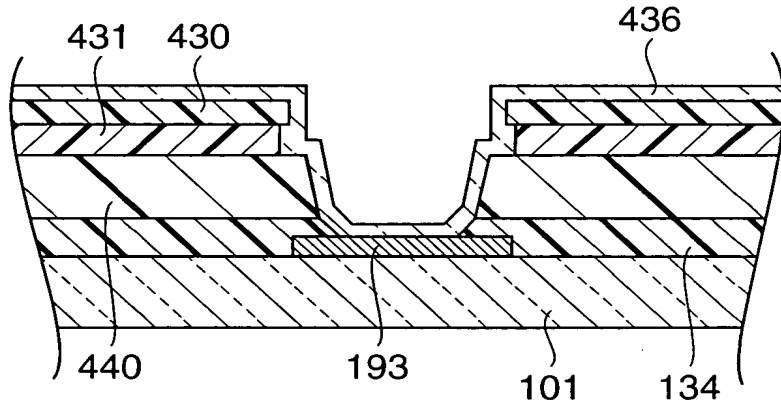
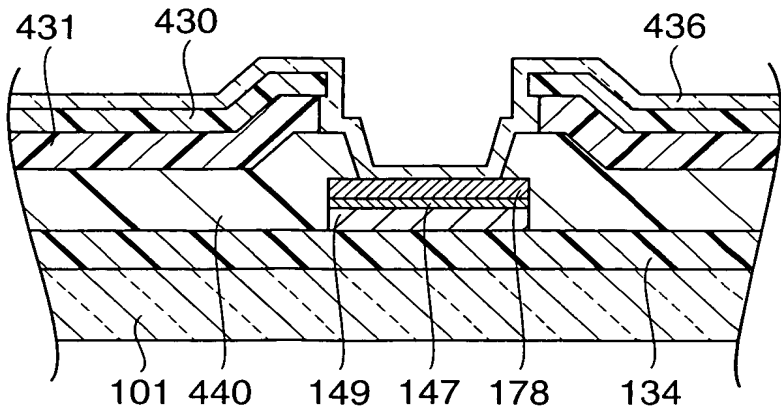


FIG.21C

DRAIN TERMINAL



205220" B7B7B00F

FIG.22A

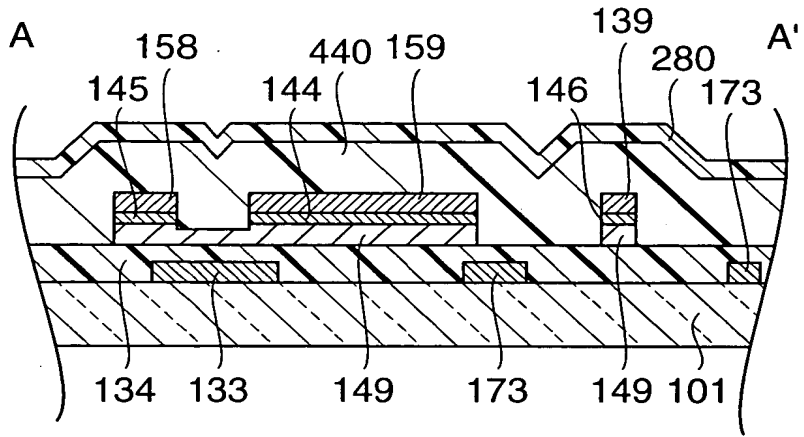


FIG.22B

GATE TERMINAL

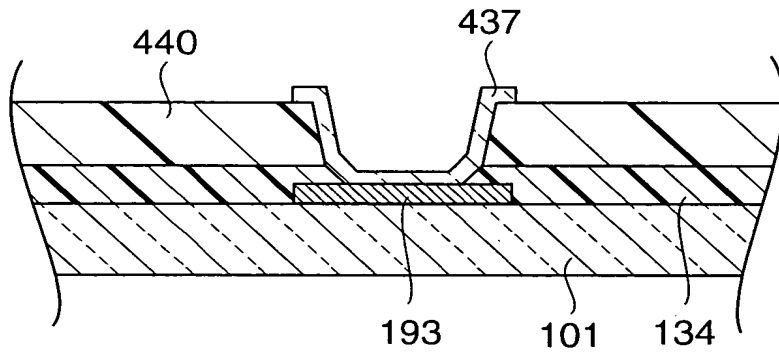
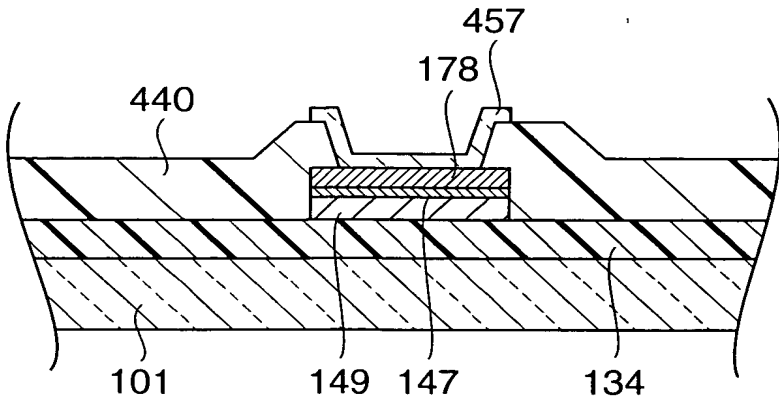


FIG.22C

DRAIN TERMINAL



205220" BTB001